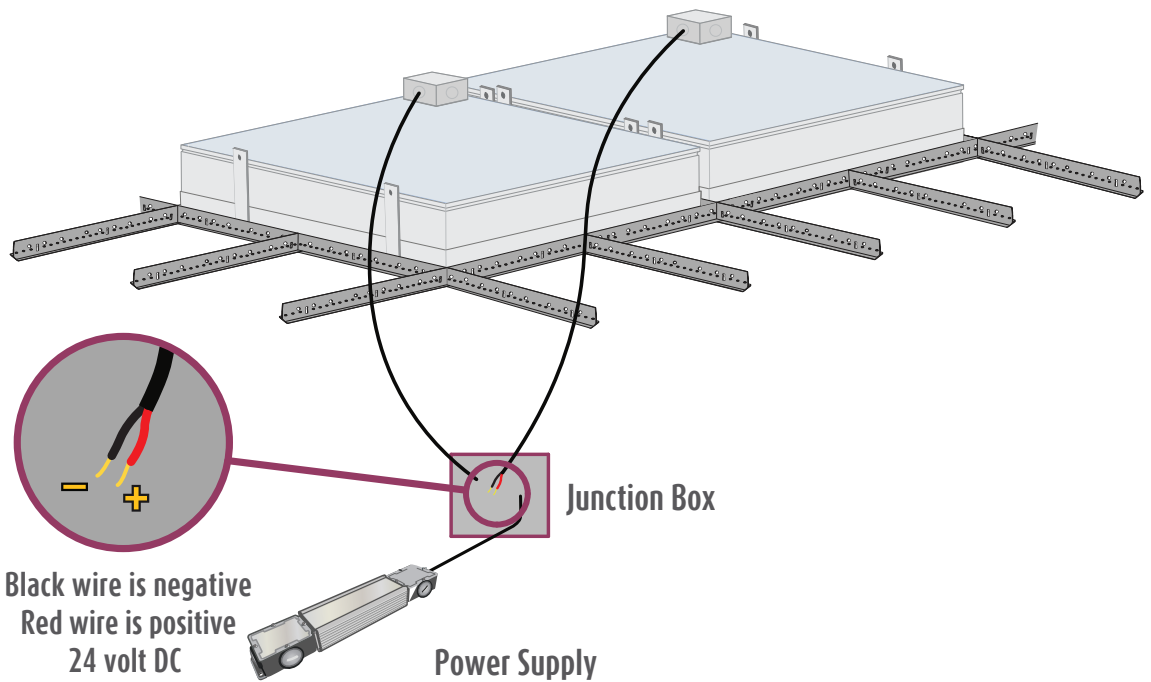


Revelation w/ EcoPlus Electrical Instructions (Fixture Only)



Installation Instructions includes:

Revelation w/ EcoPlus Electrical Instructions (Fixture Only)

Wiring Diagram EL001181

Total Wattage per Number of EcoPlus Fixtures

Wire Sizing Chart

Custom SkyCeiling wiring diagram (where applicable)

For technical support at any time during the installation, please call us **toll free at 866-759-3228**.
We want your installation to go as smoothly as possible. Thank you for choosing The Sky Factory.

Revelation w/ EcoPlus Electrical Requirements:

EP26 Series = EP26, EP26M, EP26G

EP33 Series = EP33, EP33M, EP33G

EP34 Series = EP34, EP34M, EP34G

EP36 Series = EP36, EP36M, EP36G

EP44 Series = EP44, EP44M, EP44G

EP46 Series = EP46, EP46M, EP46G

NOTE: For custom sizes, see Custom SkyCeiling wiring diagram (where applicable)

All EcoPlus fixtures are 24V DC only.

EcoPlus fixtures must be powered only by a UL Listed or CE Compliant 24V DC power supply with wattage greater than total wattage of EcoPlus fixtures.

Dry locations only.

For number of fixtures per power supply, see

“Total Wattage per Number of EcoPlus Fixtures” on page 6-8

For installations with one or more custom sizes, see

Custom SkyCeiling wiring diagram attached

For dimming requirements, see page 4.

RF filter, if used, is not provided by The Sky Factory.

Electrical work must be performed by a qualified electrician who is familiar with DC lighting systems and must conform to all local and national codes.

Step 1: Wiring the Revelation fixtures to the power supply

See supporting drawing and charts on pages 5-9 and Custom SkyCeiling wiring diagram (where applicable)

EcoPlus Lighting System - EP26 to EP46 Series				
TSF Model No.	Light Box Dimensions and Weight Only		System Wattage (Max)	Input Current @ 24 Volts DC
	WxLxH	Weight		
EP26	22.8125 x 70.8125 x 5.85 (inches)	15.9 lb	69.1	2.88A
EP33	34.8125 x 34.8125 x 5.85 (inches)	12.6 lb	51.8	2.16A
EP34	34.8125 x 46.8125 x 5.85 (inches)	15.9 lb	69.1	2.88A
EP36	34.8125 x 70.8125 x 5.85 (inches)	22 lb	103.7	4.32A
EP44	46.8125 x 46.8125 x 5.85 (inches)	19.9 lb	92.2	3.84A
EP46	46.8125 x 70.8125 x 5.85 (inches)	27.6 lb	138	5.75A
EP26M	57 x 177 x 14.86 (cm)	7.3 kg	69.1	2.88A
EP33M	87 x 87 x 14.86 (cm)	5.8 kg	51.8	2.16A
EP34M	87 x 117 x 14.86 (cm)	7.3 kg	69.1	2.88A
EP36M	87 x 177 x 14.86 (cm)	10 kg	103.7	4.32A
EP44M	117 x 117 x 14.86 (cm)	9.1 kg	92.2	3.84A
EP46M	117 x 177 x 14.86 (cm)	12.2 kg	138	5.75A
EP26G	59.5 x 184.5 x 14.86 (cm)	7.3 kg	69.1	2.88A
EP33G	90.8 x 90.8 x 14.86 (cm)	5.8 kg	51.8	2.16A
EP34G	90.8 x 122 x 14.86 (cm)	7.3 kg	69.1	2.88A
EP36G	90.8 x 184.5 x 14.86 (cm)	10 kg	103.7	4.32A
EP44G	122 x 122 x 14.86 (cm)	9.1 kg	92.2	3.84A
EP46G	122 x 184.5 x 14.86 (cm)	13.1 kg	138	5.75A

NOTE: For custom sizes, see also Custom SkyCeiling wiring diagram



Notice: The LED fixtures are 24V DC ONLY.

AC voltage connected directly to the fixtures
will destroy the lighting system.

Step 1 continued

Fixtures are wired together in single or multiple circuits. Each circuit may be arranged in rows or clusters, depending on installation.

A junction box with 1/2" trade size knock-outs is attached on top corner of each fixture.

- Power leads inside fixture junction box are polarized, red (+) and black (-).
- Wire size 18 AWG stranded.

Wiring from fixtures to V DC side of client-provided power supply is polarized, positive (+) to positive (+) and negative (-) to negative (-):

Wire and additional junction boxes from the fixtures to the power supply provided by others.

Voltage drop will occur over long distances. For appropriate lengths and gauges, see
Wire Sizing Chart.

Wire gauge must conform to local and national codes.

Step 2: Dimming requirements

IMPORTANT: Use of Sky Factory approved dimming system only! Contact the Sky Factory if you plan on using a dimming system provided by others.



Notice: Dimming using non-approved systems may permanently damage LED's and will void the warranty!

In MRI applications, an RF Filter is required and is not provided by The Sky Factory.

Step 3: Checking the polarity



Notice: CHECK THE POLARITY BEFORE TURNING ON POWER. MAKE SURE:

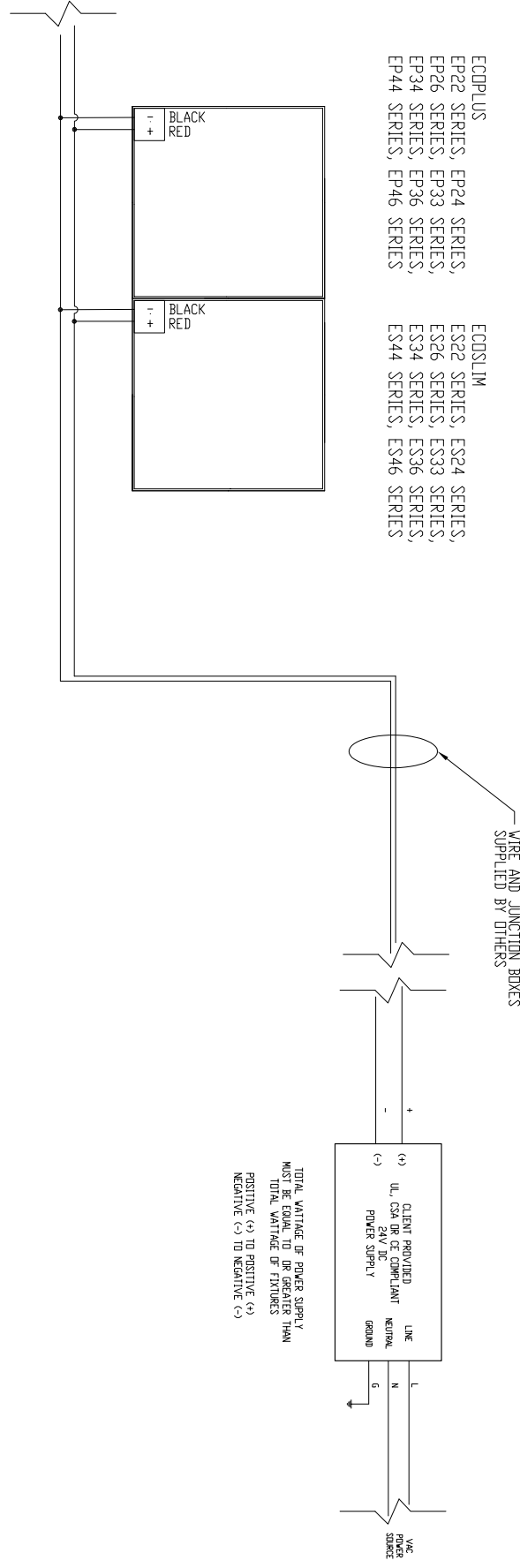
Red wires on the fixtures go to the "+" terminals of the power supply

Black wires on the fixtures go to the "-" terminals of the power supply

IF THE SYSTEM IS WIRED BACKWARD, IT WILL DESTROY THE LED'S!

EP AND ES SERIES FIXTURES
WITH CLIENT PROVIDED POWER SUPPLY

- ECPPLUS**
EP22 SERIES, EP24 SERIES,
EP26 SERIES, EP33 SERIES,
EP34 SERIES, EP36 SERIES,
EP44 SERIES, EP46 SERIES
- ECOSLIM**
ES22 SERIES, ES24 SERIES,
ES26 SERIES, ES33 SERIES,
ES34 SERIES, ES36 SERIES,
ES44 SERIES, ES46 SERIES



- NOTES:**
1. ALL FIXTURES 24V DC ONLY.
 2. JUNCTION BOX ATTACHED TO EACH FIXTURE:
WIRE SIZE 18 AWG STRANDED
WIRE COLORS:
RED (+) (POSITIVE)
BLACK (-) (NEGATIVE)
 3. SEE ALSO TOTAL WATTAGE PER NUMBER OF ECOSLIM FIXTURES
CHART AND WIRE SIZING CHART.
 4. USE OF SKY FACTORY APPROVED DIMMING SYSTEM ONLY!
CONTACT THE SKY FACTORY IF YOU PLAN ON USING A
DIMMING SYSTEM PROVIDED BY OTHERS.
- NOTICE: DIMMING USING NON-APPROVED SYSTEMS
MAY PERMANENTLY DAMAGE LEDS AND WILL
VOID THE WARRANTY!**

PROJECT NO: 18-001181 DATE: 07/17/18 DRAWN BY: RAN CHECKED BY: J. J. JONES SCALE: 1/8" = 1'-0"	TITLE: VAC TO LED DIMMING NO. OF SHEETS: 2 SHEET NO.: 1
PROJECT: 18-001181 DATE: 07/17/18 DRAWN BY: RAN CHECKED BY: J. J. JONES SCALE: 1/8" = 1'-0"	TITLE: VAC TO LED DIMMING NO. OF SHEETS: 2 SHEET NO.: 1

Total Wattage per Number of EcoPlus Fixtures

All Revelation fixtures must be powered by a UL Listed or CE Compliant 24V DC power supply.
This table provides information for properly sizing a power supply given the number of fixtures in a given installation.

No. of Fixtures	EP26 Series		EP33 Series	
	Required Current Amps	Required Current Watts	Required Current Amps	Required Current Watts
1	2.79	66.96	2.09	50.16
2	5.58	133.92	4.18	100.32
3	8.37	200.88	6.27	150.48
4	11.16	267.84	8.36	200.64
5	13.95	334.8	10.45	250.8
6	16.74	401.76	12.54	300.96
7	19.53	468.72	14.63	351.12
8	22.32	535.68	16.72	401.28
9	25.11	602.64	18.81	451.44
10	27.9	669.6	20.9	501.6
11	30.69	736.56	22.99	551.76
12	33.48	803.52	25.08	601.92
13	36.27	870.48	27.17	652.08
14	39.06	937.44	29.26	702.24
15	41.85	1004.4	31.35	752.4
16	44.64	1071.36	33.44	802.56
17	47.43	1138.32	35.53	852.72
18	50.22	1205.28	37.62	902.88
19	53.01	1272.24	39.71	953.04
20	55.8	1339.2	41.8	1003.2
21	58.59	1406.16	43.89	1053.36
22	61.38	1473.12	45.98	1103.52
23	64.17	1540.08	48.07	1153.68
24	66.96	1607.04	50.16	1203.84
25	69.75	1674	52.25	1254
26	72.54	1740.96	54.34	1304.16
27	75.33	1807.92	56.43	1354.32
28	78.12	1874.88	58.52	1404.48
29	80.91	1941.84	60.61	1454.64
30	83.7	2008.8	62.7	1504.8
31	86.49	2075.76	64.79	1554.96
32	89.28	2142.72	66.88	1605.12
33	92.07	2209.68	68.97	1655.28
34	94.86	2276.64	71.06	1705.44
35	97.65	2343.6	73.15	1755.6

Total Wattage per Number of EcoPlus Fixtures

All Revelation fixtures must be powered by a UL Listed or CE Compliant 24V DC power supply.
This table provides information for properly sizing a power supply given the number of fixtures in a given installation.

No. of Fixtures	EP34 Series		EP36 Series	
	Required Current Amps	Required Current Watts	Required Current Amps	Required Current Watts
1	2.79	66.96	4.19	100.56
2	5.58	133.92	8.38	201.12
3	8.37	200.88	12.57	301.68
4	11.16	267.84	16.76	402.24
5	13.95	334.8	20.95	502.8
6	16.74	401.76	25.14	603.36
7	19.53	468.72	29.33	703.92
8	22.32	535.68	33.52	804.48
9	25.11	602.64	37.71	905.04
10	27.9	669.6	41.9	1005.6
11	30.69	736.56	46.09	1106.16
12	33.48	803.52	50.28	1206.72
13	36.27	870.48	54.47	1307.28
14	39.06	937.44	58.66	1407.84
15	41.85	1004.4	62.85	1508.4
16	44.64	1071.36	67.04	1608.96
17	47.43	1138.32	71.23	1709.52
18	50.22	1205.28	75.42	1810.08
19	53.01	1272.24	79.61	1910.64
20	55.8	1339.2	83.8	2011.2
21	58.59	1406.16	87.99	2111.76
22	61.38	1473.12	92.18	2212.32
23	64.17	1540.08	96.37	2312.88
24	66.96	1607.04	100.56	2413.44
25	69.75	1674	104.75	2514
26	72.54	1740.96	108.94	2614.56
27	75.33	1807.92	113.13	2715.12
28	78.12	1874.88	117.32	2815.68
29	80.91	1941.84	121.51	2916.24
30	83.7	2008.8	125.7	3016.8
31	86.49	2075.76	129.89	3117.36
32	89.28	2142.72	134.08	3217.92
33	92.07	2209.68	138.27	3318.48
34	94.86	2276.64	142.46	3419.04
35	97.65	2343.6	146.65	3519.6

Total Wattage per Number of EcoPlus Fixtures

All Revelation fixtures must be powered by a UL Listed or CE Compliant 24V DC power supply.
This table provides information for properly sizing a power supply given the number of fixtures in a given installation.

No. of Fixtures	EP44 Series		EP46 Series	
	Required Current Amps	Required Current Watts	Required Current Amps	Required Current Watts
1	3.72	89.28	5.75	138
2	7.44	178.56	11.5	276
3	11.16	267.84	17.25	414
4	14.88	357.12	23	552
5	18.6	446.4	28.75	690
6	22.32	535.68	34.5	828
7	26.04	624.96	40.25	966
8	29.76	714.24	46	1104
9	33.48	803.52	51.75	1242
10	37.2	892.8	57.5	1380
11	40.92	982.08	63.25	1518
12	44.64	1071.36	69	1656
13	48.36	1160.64	74.75	1794
14	52.08	1249.92	80.5	1932
15	55.8	1339.2	86.25	2070
16	59.52	1428.48	92	2208
17	63.24	1517.76	97.75	2346
18	66.96	1607.04	103.5	2484
19	70.68	1696.32	109.25	2622
20	74.4	1785.6	115	2760
21	78.12	1874.88	120.75	2898
22	81.84	1964.16	126.5	3036
23	85.56	2053.44	132.25	3174
24	89.28	2142.72	138	3312
25	93	2232	143.75	3450
26	96.72	2321.28	149.5	3588
27	100.44	2410.56	155.25	3726
28	104.16	2499.84	161	3864
29	107.88	2589.12	166.75	4002
30	111.6	2678.4	172.5	4140
31	115.32	2767.68	178.25	4278
32	119.04	2856.96	184	4416
33	122.76	2946.24	189.75	4554
34	126.48	3035.52	195.5	4692
35	130.2	3124.8	201.25	4830

Wire Sizing Chart

This chart is a guideline for recommended wiring practice.

Applies to 24V DC power only, i.e. from “fixture to power supply.”

Not meant for “V AC to power supply” nor “dimmer to power supply.”

Wire sizes in AWG Conversion chart below.

Distance: Feet (Meters)	AWG for 5A	AWG for 10A	AWG for 15A
20 (6)	18	14	12
30 (9)	16	12	10
40 (12)	14	10	10
50 (15)	12	10	*
60 (18)	12	10	*
80 (24)	10	*	*
100 (30)	10	*	*

* Terminal block wire range #10 - #22 Awg.

AWG	MM
10	6.271
11	5.156
12	3.302
13	2.629
14	2.088
15	1.652
16	1.308
17	1.039
18	0.823