

## Specifications

- 1 **Lighting (EcoPlus LED back lit light box):**  
Color temperature: 6500K  
Strict LED binning standards assure consistent & high quality illumination  
State of the art back lit technologies provide uniform illumination for the Luminous SkyTile graphic  
Housed in a white powder-coated, extruded (non-ferrous) aluminum frame  
Moisture and chemical resistant  
Each unit has a four knock-out junction box  
Use in MRI, and other RF-free environments
- 2 **Luminous SkyTile (lens):**  
Acrylic, Acrylite, or polycarbonate substrate  
Lightweight & durable  
High resolution reproduction from proprietary digital image file  
Color-calibrated for daylight quality light source  
Non-glare matte finish  
Fade resistant pigmented inks containing UV inhibitors  
Designed to fit Luminous SkyTile Standard Elevator
- 3 **Classic Elevator (frame):**  
Moisture resistant, light weight aluminum  
1.25" (31.8mm) vertical profile  
Quick and easy installation  
Powder coated, white matte finish to match standard grid  
Compatible with standard 15/16" grid systems  
Precision machined corners, seamless architectural appearance
- 4 **Perimeter and Grid:**  
Armstrong Prelude Plus white aluminum 15/16" ceiling grid pre-cut to fit  
PVC perimeter pre-molded, cut to length and painted to match grid

### UL, CSA, and CE Certified:

EP and EPCST Series when used with 24PS HLG Power System,  
UL Listed or CE Compliant power supply fully certified by Intertek Group plc

### Electrical:

24V DC, Amps and Watts varies per EP & EPCST Series fixture size  
Approx. .25 Amps, 6 Watts per square foot (30cm x 30cm)  
Sky Factory 24PS HLG Power System  
Converts 90-305V AC to 24V DC  
Size and quantity per installation calculated by Sky Factory  
Power system aluminum enclosure  
Mounted on baseplate with junction box on input and output ends  
See 24PS HLG Power System Technical Specifications sheet  
Sky Factory provided HLG dimmable power supply (International Only)  
Converts 90-305V, 47-63 Hz to 24V DC  
Client provided UL Listed or CE Compliant power supply  
Must convert V AC to 24V DC  
Items not provided:  
AC wiring between fuse/breaker panel and 24V DC power system  
DC wiring between 24V DC power system and EcoPlus light box  
Dimmer wiring between 24V DC power system and switch/dimmer control box  
RFI/EMI filters for MRI installations  
See Circular w/ EcoPlus Installation Instructions; and  
Custom EcoPlus Electrical Packet (24PS HLG), Electrical Instructions (HLG) or  
Electrical Instructions (Fixture Only)

STANDARD CIRCLE (DIAMETER) POWER CONSUMPTION						
	5'	6'	8'-6 5/8"	10'	11'-9"	14'-3"
WATTS	103.5	155.3	304.8	425.5	580.8	891.3

### Ceiling Clearance Dimensions:

Minimum space required above ceiling grid: 7.25" (18.5cm) – 11" (28cm)  
depending on extent of fixture pre-assembly before installation in grid, and access to adjacent grid sections

### Installation:

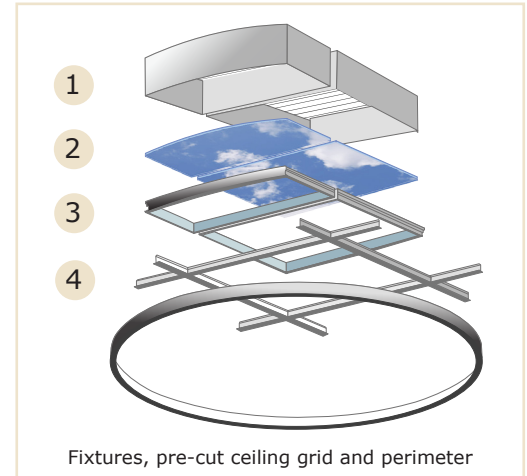
Elevators, tiles and luminaires easily installed into standard 15/16" grid system provided.  
Circular SkyCeilings are designed to be recessed into a variety of hard ceilings.

## Circular EcoPlus

### EP-CIR

### Ceiling Grid Mount

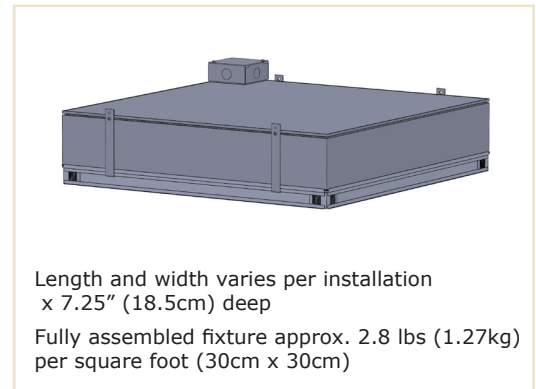
### Back Illuminated Sky Image Ceiling



## Key Attributes:

15/16" (24mm) ceiling grid mount  
Low profile – 7.25" (18.5cm) high  
6500 Kelvin – cool daylight  
Non-ferrous, RF-free construction

## Dimensions and Weight



### Configurations:

For sample configurations, go to [skyfactory.com](http://skyfactory.com)

### US Patent Information:

Our products, systems, and methods may be protected by one or more of the following US Patents:  
Pat. 9,164,011, Pat. 8,851,700, Pat. 7,959,316,  
and Pat. 7,481,550, as well as other patents pending.